

## 2 way full range speaker system



### X3-15P

The P Audio X3-15P is a light weight high performance sound reinforcement loudspeaker enclosure. The X3-15P is a passive design that incorporates a high order passive filter to ensure accurate amplitude response. The X3-15P is a very flexible design and may be used in a wide variety of professional applications.

The X3-15 is a two way design the features a 15" (381mm) low frequency section and a true compression driver coupled to a 90 degree by 40 degree waveguide. The high acoustic sensitivity and output capability makes the X3-15 an ideal choice for a variety of professional applications. These applications include portable DJ applications, live sound venues, commercial environments and general public address requirements. The 15 inch woofer is an excellent choice for both intelligibility throughout the vocal range and extended and high impact low frequency reproduction.

The system transducers were selected to provide superior fidelity and reliability. The design is characterized by very high power handling and excellent amplitude linearity.

The X3-15 is an injection molded design that is light weight and includes an integral 1 3/8" (35mm) industry standard "top hat" for use with standard loudspeaker stands. The enclosure design is very rugged and features a heavy gauge steel protective grill. The design is a light weight 16.9kg 37.3 lbs).

### Features

- 1000 Watts Peak Power Handling
- Optimized Two-way Crossover
- 2 Locking Speaker Connectors
- 15 Inch (381mm) Low Frequency Transducer
- Ultra-Deep Bass Response and Clear Treble
- True Compression Driver
- Integrated 35mm Stand Adaptor
- Rugged Injection Molded Design

# PASSIVE SPEAKER

# X3-15P

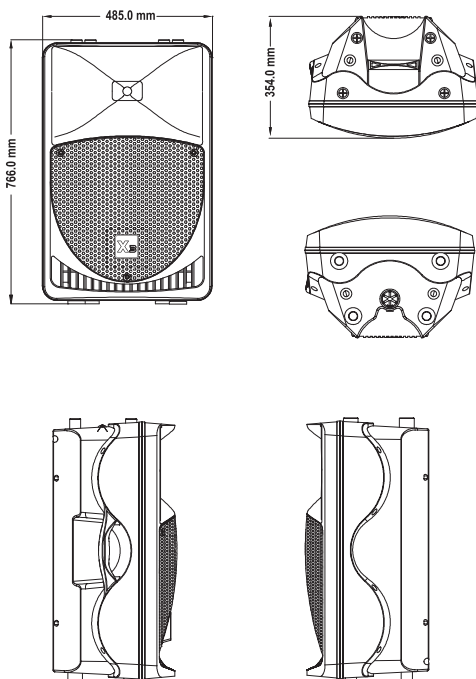
## 2 way full range speaker system



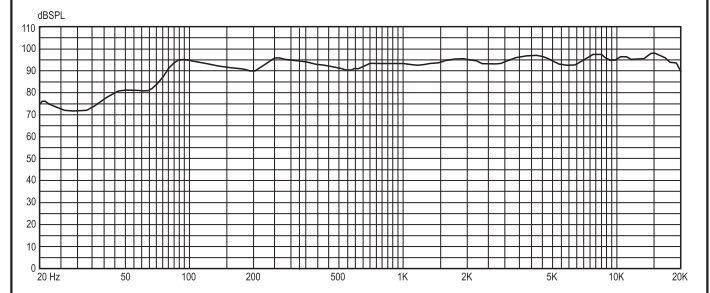
### Specification

Frequency Response	50Hz - 20kHz
Max Peak SPL	121 dB
Rated Coverage Angle	90°H x 40°V
Input Type	2 x Locking Loudspeaker Connectors (Paralleled)
Sensitivity	95 dB
Weight	16.9kg (37.3 lbs)
Dimensions	766 x 485 x 354 (mm) 30.1 x 19.1 x 13.9 (in)

### Dimensions



### Frequency Response



# X3 SERIES



P.Audio System Co.,Ltd.

19/4 Moo 2 T.Bangkratuk A.Samparn Nakornpathom 73210 Thailand

Tel: +66(2) 441 6600 Fax: +66(2) 441 6699

E-mail: [info@paudiothailand.com](mailto:info@paudiothailand.com) Website: [www.paudiothailand.com](http://www.paudiothailand.com)